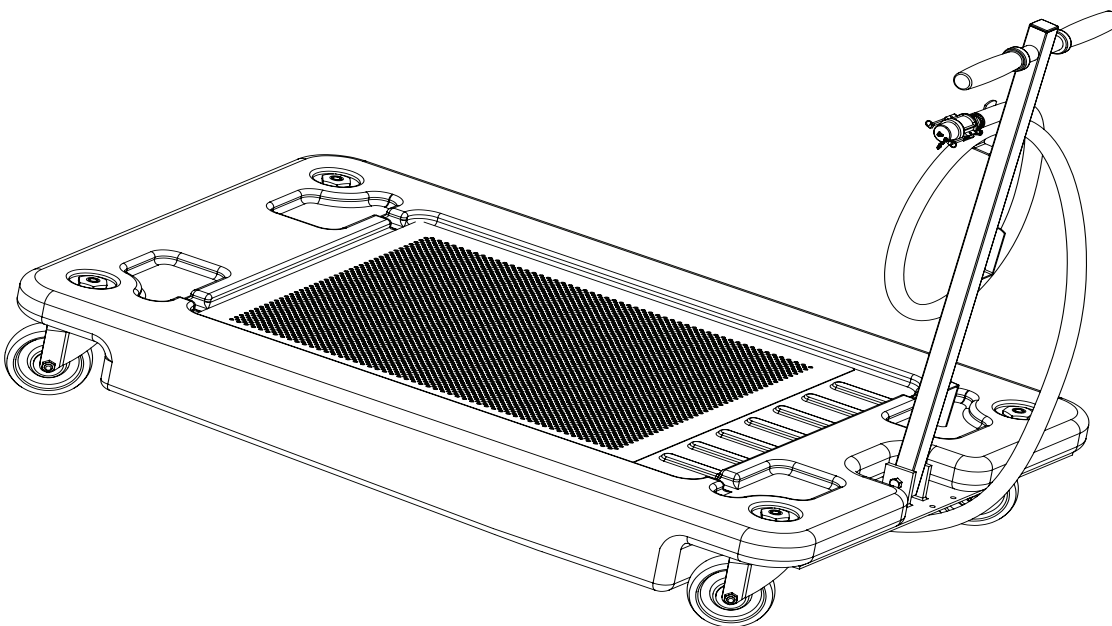


# 17 U.S. gallon portable low profile drain

Model 3665



Date of issue	February 2014
Form number	404499B
Section	B4
Page	48B

**⚠ DANGER**

Read manual prior to installation or use of this product. Keep manual nearby for future reference. Failure to follow instructions and safety precautions may result in death or serious injury.

# Contents

- Safety ..... 3
- Explanation of signal words for safety ..... 3
- Assembly ..... 4
- Operation ..... 4
- Lincoln standard warranty ..... 6

# Safety

Read and carefully observe these instructions before assembling, operating or troubleshooting the equipment. The equipment must be assembled, operated, maintained and repaired exclusively by persons familiar with the instructions.

Operate the equipment only after safety instructions and this guide have been read and are completely understood.

Adequate personal protection must be used to prevent splashing of material on the skin or in the eyes.

Any other use not in accordance with instructions will result in loss of claim for warranty or liability.

- Do not misuse, over-pressurize, modify parts, use incompatible chemicals, fluids, or use worn and/or damaged parts.
- Always read and follow the fluid manufacturer's recommendations regarding fluid compatibility, and the use of protective clothing and equipment.
- Failure to comply may result in personal injury and/or damage to equipment.

## Explanation of signal words for safety



This is the safety alert symbol. It is used to alert you to potential physical injury hazards. Obey all safety messages that follow this symbol to avoid possible injury or death.

### SAFETY INSTRUCTIONS

Safety instruction signs indicate specific safety-related instructions or procedures.

### CAUTION


Indicates a hazardous situation which, if not avoided, could result in minor or moderate injury.

### WARNING

Indicates a hazardous situation which, if not avoided will result in death or serious injury.

### DANGER

Indicates a hazardous situation which, if not avoided, will result in death or serious injury.

 **Notice** Emphasizes useful hints and recommendations as well as information for efficient and trouble-free operation.

**Table 1**

Specifications	
Capacity	17 U.S. gal (64 liters)
Casters, heavy duty	4 in. (101 mm)
Evacuator hose length	6 ft. (1.8 m)
Hose, outlet cam/groove	.75 in. (19 mm)

# Assembly

- 1 Refer to **figure 1** and place the handle (3) into the bracket mounting slot (6).
- 2 Align holes of the handle (3) and the mounting bracket (6).
- 3 Insert the bolts (5) thru the holes of the mounting bracket (6) and into the holes of the handle (3).
- 4 Tighten both bolts (5).
- 5 \*Refer to **figure 1** and slide hose clamp (8) over end of evacuator hose (4).
- 6 Connect the end of the evacuator hose (4) to barbed fitting assembly (7) under the reservoir (1).
- 7 Place hose clamp (8) over barbed fitting assembly (7) and evacuator hose (4).
- 8 Tighten the hose clamp (8).

### ! Notice

Prior to connecting evacuator hose, apply a light coat of lubricating grease to barbed fitting assembly (7). This will make connecting the evacuator hose easier.

- 9 Place the filter screen (2) onto the reservoir (1).
- End of procedure

# Operation

- 1 Inspect drain for damage.
- 2 Place reservoir (1) under vehicle.
- 3 Remove the oil drain plug from the vehicle's engine.
- 4 Allow all engine oil to drain from the engine and into the reservoir (1).
- 5 Replace the vehicle's drain plug.
- 6 Move the reservoir (1) to a temporary storage area.
- 7 Attach the evacuator hose (4) to a vacuum pump.
- 8 Pump the oil from the reservoir (1).
- 9 After all oil has been drained from the reservoir (1), disconnect evacuator hose (4) from the vacuum source.
- 10 Re-install cam and groove cap.

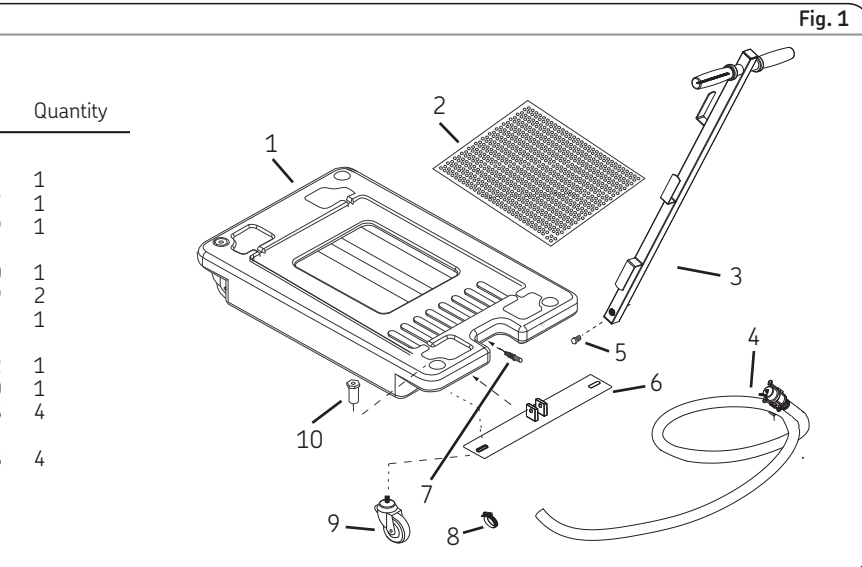
### ! Notice

Prior to using drain, inspect for any damage that would prevent proper use.  
When placing reservoir under vehicle, make sure opening is directly below the oil drain plug of the engine.

### ! CAUTION

Do not attempt to drain oil from an engine that has not cooled.  
Wear proper safety equipment when performing this procedure.  
Failure to comply may result in injury to personnel.

- 11 Clean any waste oil from the exterior drain surfaces.
  - 12 Dispose of oil in accordance with local guidelines.
- End of procedure



### Parts list

Item no.	Description	Part no.	Quantity
1	Reservoir <sup>4)</sup>	None	1
2	Filter screen	278407	1
3	Handle <sup>2)</sup>	278409	1
4	Evacuator hose <sup>3)</sup>	278410	1
5	Bolt M8 x 20 <sup>2)</sup>	278409	2
6	Mounting bracket	None	1
7	Bung assembly	278442	1
*8	Hose clamp <sup>3)</sup>	278410	1
9	Caster <sup>1)</sup>	278408	4
10	Caster locknut 1 1/4 in. 32 mm <sup>1)</sup>	278408	4

<sup>1)</sup> Included as part of kit 278408.

<sup>2)</sup> Included as part of kit 278409.

<sup>3)</sup> Included as part of kit 278410.

<sup>4)</sup> Shown for illustration purposes and not available for order.

\*Indicates change.

# Lincoln industrial standard warranty

## Standard limited warranty

Lincoln warrants the equipment manufactured and supplied by Lincoln to be free from defects in material and workmanship for a period of one (1) year following the date of purchase, excluding there from any special, extended, or limited warranty published by Lincoln. If equipment is determined to be defective during this warranty period, it will be repaired or replaced, within Lincoln's sole discretion, without charge.

This warranty is conditioned upon the determination of a Lincoln authorized representative that the equipment is defective. To obtain repair or replacement, you must ship the equipment, transportation charges prepaid, with proof of purchase to a Lincoln Authorized Warranty and Service Center within the warranty period.

This warranty is extended to the original retail purchaser only. This warranty does not apply to equipment damaged from accident, overload, abuse, misuse, negligence, faulty installation or abrasive or corrosive material, equipment that has been altered, or equipment repaired by anyone not authorized by Lincoln. This warranty applies only to equipment installed, operated and maintained in strict accordance with the written specifications and recommendations provided by Lincoln or its authorized field personnel.

**This warranty is exclusive and is in lieu of any other warranties, express or implied, including, but not limited to, the warranty of merchantability or warranty of fitness for a particular purpose. Warranty on items sold by Lincoln, but not manufactured by Lincoln are subject to the warranty consideration, if any, of their manufacturer (such as hoses, hydraulic and electric motors, electrical controllers, etc.) Assistance in making such warranty claims can be offered as required.**

In no event shall Lincoln be liable for incidental or consequential damages. Lincoln's liability for any claim for loss or damages arising out of the sale, resale or use of any Lincoln equipment shall in no event exceed the purchase price. Some jurisdictions do not allow the exclusion or limitation of incidental or consequential damages, therefore the above limitation or exclusion may not apply to you.

This warranty gives you specific legal rights. You may also have other rights that vary by jurisdiction.

Customers not located in the Western Hemisphere or East Asia: Please contact Lincoln GmbH and Co. Kg, Walldorf, Germany, for your warranty rights.

## Special limited warranties

### Special limited 2 year warranty SL-V series, single injectors–85772, 85782, and replacement injectors–85771, 85781

Lincoln warrants the SL-V Injector series to be free from defects in material and workmanship for two (2) years following the date of purchase. If an injector model (single or replacement) is determined to be defective by Lincoln, in its sole discretion, during this warranty period, it will be repaired or replaced, at Lincoln's discretion, without charge.

### Special limited 5 year warranty series 20, 25, 40 bare pumps, pmv bare pumps, heavy duty and 94000 series bare reels

Lincoln warrants series 20, 25, 40 bare pumps, PMV bare pumps, heavy duty (82206), mini bench (81133, 81323), and all 94000 LFR series (single arm and dual arm) bare reels to be free from defects in material and workmanship for five (5) years following the date of purchase. If equipment is determined by Lincoln, in its sole discretion, to be defective during the first year of the warranty period, it will be repaired or replaced at Lincoln's discretion, without charge. In years two (2) and three (3), the warranty on this equipment is limited to repair with Lincoln paying parts and labor only. In years four (4) and five (5), the warranty on this equipment is limited to repair with Lincoln paying for parts only.

### Special limited 5 year warranty– limited oil meters, limited fluid control valves, aod (air-operated diaphragm pumps)

Lincoln warrants the 712 series control valves, 912 series lube meters, electronic lube meters (980, 981, 982 series), our universal inline digital meters (812/813 series), and our AOD pump offering to be free from defects in material and workmanship for five (5) years following the date of purchase. If either is determined to be defective by Lincoln, in its sole discretion, during the warranty period, they will be repaired or replaced, at Lincoln's discretion, without charge.

### Special DEF (diesel exhaust fluid) limited warranty

DEF products are warranted to be free from defects in material and workmanship for a period of one (1) year following the date of purchase. The following exceptions to the standard warranty period are in effect:

- **85700-30/85700-50 DEF hose reels (bare reel only),** 277251/277252 AC DEF pumps, and 277256 and 277257 DEF meters are warranted for two (2) years from date of purchase.
- **85623 DEF AOD (air operated diaphragm) pumps** are covered under the standard five (5) year AOD pump warranty.

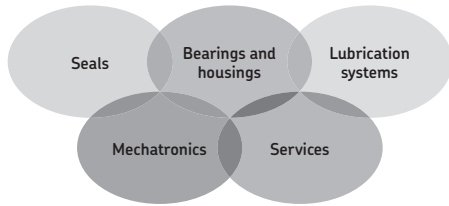
If either is determined to be defective by Lincoln, in its sole discretion, during the warranty period, they will be repaired or replaced, at Lincoln's discretion, without charge.

### Lincoln Industrial contact information

To find Lincoln Industrial's nearest service center call the following number; customer service 314-679-4200 (international number 01-314-679-4200) or you may also use our website [www.lincolnindustrial.com](http://www.lincolnindustrial.com)

This page left intentionally blank

This page left intentionally blank



### The Power of Knowledge Engineering

Combining products, people, and application-specific knowledge, SKF delivers innovative solutions to equipment manufacturers and production facilities in every major industry worldwide. Having expertise in multiple competence areas supports SKF Life Cycle Management, a proven approach to improving equipment reliability, optimizing operational and energy efficiency and reducing total cost of ownership.

These competence areas include bearings and units, seals, lubrication systems, mechatronics, and a wide range of services, from 3-D computer modelling to cloud-based condition monitoring and asset management services.

SKF's global footprint provides SKF customers with uniform quality standards and worldwide product availability. Our local presence provides direct access to the experience, knowledge and ingenuity of SKF people.

© SKF is a registered trademark of the SKF Group.

© Lincoln is a registered trademark of Lincoln Industrial Corp.

© SKF Group 2014

The contents of this publication are the copyright of the publisher and may not be reproduced (even extracts) unless prior written permission is granted. Every care has been taken to ensure the accuracy of the information contained in this publication but no liability can be accepted for any loss or damage whether direct, indirect or consequential arising out of the use of the information contained herein.

SKF PUB LS/14 13499.EN · February 2014 · Form 404499B

**LINCOLN**

**SKF**