



### OWNER/OPERATOR RESPONSIBILITY

It is the owner/operator responsibility to properly use and maintain this equipment.

The instructions and warnings contained in this manual shall be read and understood by the owner/operator prior to operating this equipment.

If an owner/operator does not understand english, the contents of this manual shall be explained in the owner/operator native language to assure the owner/operator comprehends.

It is the owner/operator responsibility to maintain the legibility of all warning and instruction labels.

### DESCRIPTION

Suitable to pump diesel fuel, lubricating oils up to SAE 140 (@ 70°F) and other non-corrosive fluids.

Supplied with 1.8m (6 ft) delivery hose and metal nozzle.

Variable handle setting for light or heavy fluids.

Telescopic suction tube fits 60 liter (16 us gal) and 205 liter (55 us gal) drums. Convenient bung opener cast on pump head.

The owner/operator shall retain this manual for future reference to important warnings, operating and maintenance instructions.

### SPECIFICATIONS

Output approximately .26 quart (250ml)\ stroke.

## **WARNING**

Not for use with gasoline or other flammable liquids.

© The 1335 is a multi-fluid pump that contains the following wetted components:

1. Aluminum (Pump Head)
2. Steel (Suction tube, pump body, handle)
3. Brass (Rings in pump head)
4. Viton(O Ring in Suction Tube)
5. PTFE (Under Gland Nut)

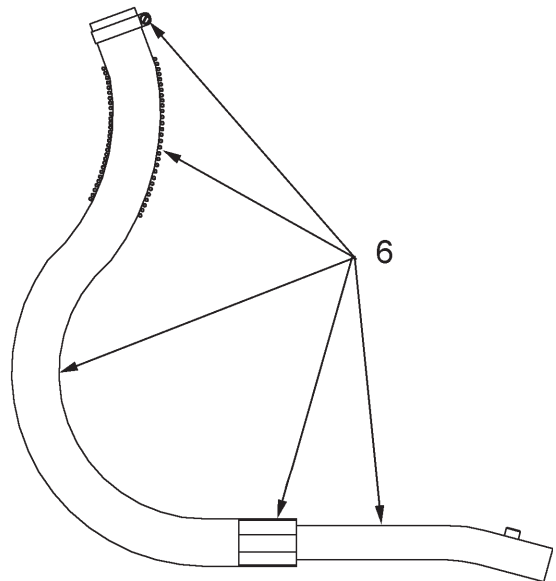
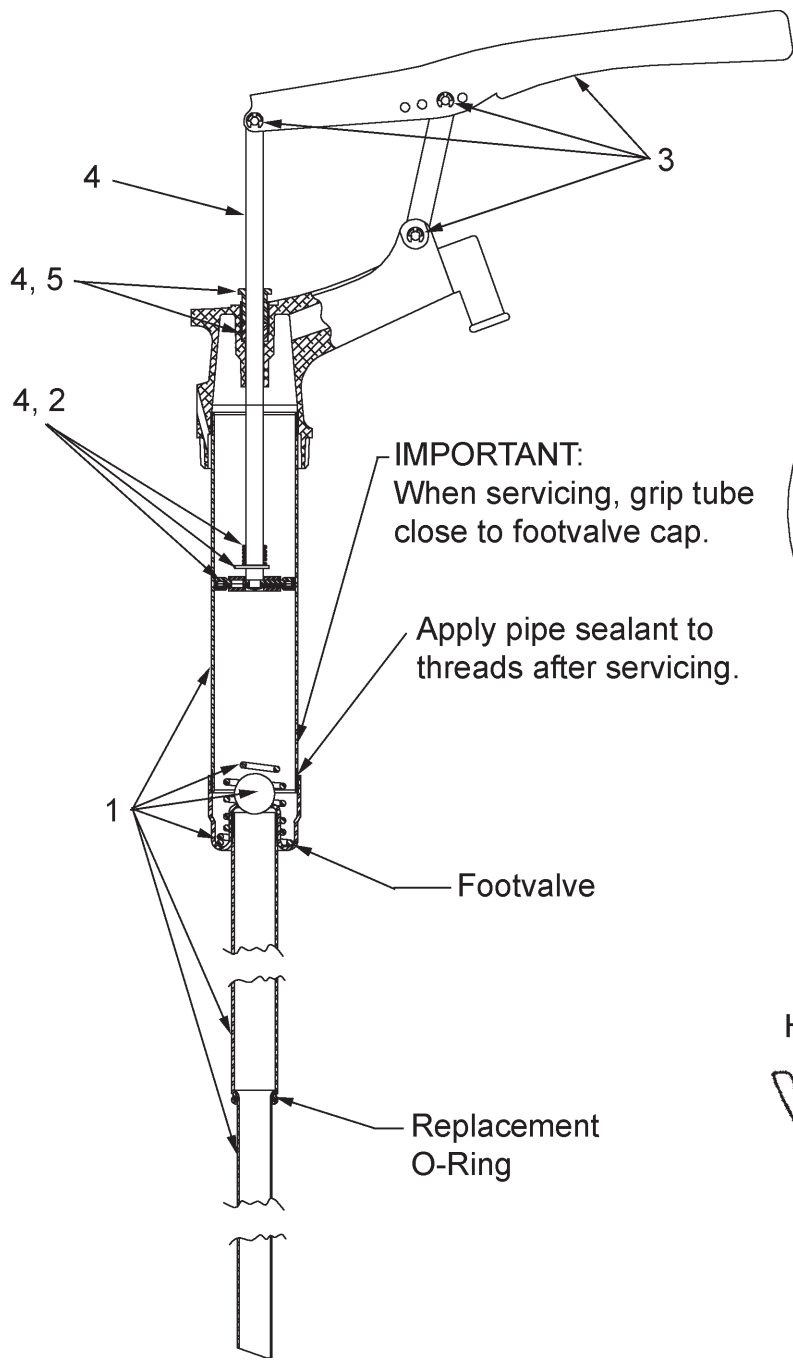
© This close tolerance pump works with non corrosive fluids such as:

- Motor oil
- Transmission fluid
- Gear oil
- Engine coolant / Anti-Freeze (Alcohol Base)
- Engine coolant / Anti-Freeze (Glycol Base/ Prestone®Etc.)
- Denatured Alcohol Ethanol and denaturant
- Diesel Oil (Fuel ASTM #2) Hydrocarbons
- Fuel Oils (ASTM #1 thru #9) Hydrocarbons
- Glycols
- HexyleneGlycol (Brake Fluid)
- Hydraulic Oil (Petroleum Base) Hydrocarbons
- Lubricating Oils (Petroleum) Hydrocarbons
- Naphtha (Petroleum Spirits) (Thinner)
- Petroleum fractions
- Silicone Oils
- Linseed Oil (Flaxseed Oil) Glycerides
- Mineral Oil (Petroleum) Hydrocarbons

The multi-position handle design allows easy adjustment when moving from light to heavy viscous fluids.

© For a more detailed list, see chart on page 4.

© Indicates change



Handy Bung-Opener on Pump Head

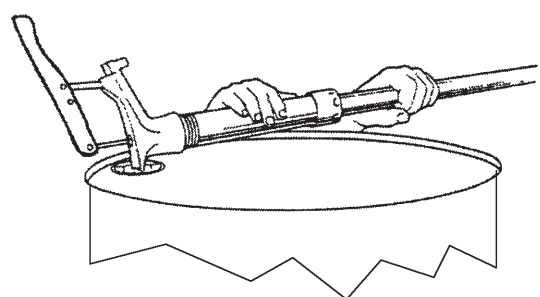
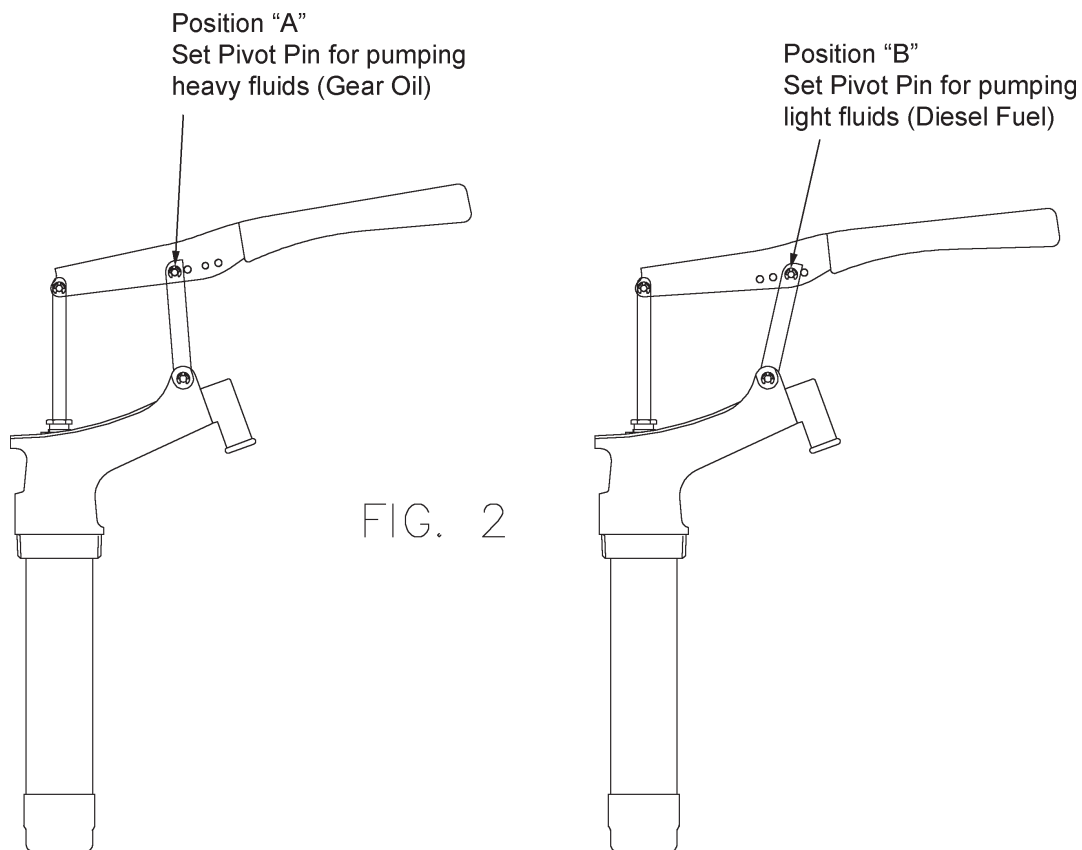


FIG. 1

PARTS REQUIRED		
Item	Part	Description
1	273734	Kit, Barrel
2	273735	Kit, Plunger
3	273736	Kit, Handle
4	273737	Kit, Plunger Rod
5	273738	Kit, Packing
6	273739	Kit, Hose



TROUBLESHOOTING		
TROUBLE	CAUSE	REMEDY
Hard to pump.	A. Gland Nut is screwed down too tight.	A. Adjust Gland Nut.
	B. Handle is positioned in the wrong setting for heavy fluid.	B. Adjust Handle Position (See Fig. 2).
	C. Bent Piston Rod.	Replace Piston Rod and Piston Assembly.
Pump fails to prime.	A. Footvalve ball is not sealing.	A. Remove and clean footvalve. Reassemble the footvalve using Pipe Sealant on Threads.
	B. Piston Valve is damaged and is not seating.	B. Replace Piston and Piston Rod Assembly.
	C. O-Ring is not sealing.	C. Replace O-Ring.

## ⚠ WARNING

FAILURE TO HEED THE FOLLOWING WARNINGS INCLUDING MISUSE, MODIFYING PARTS, USING INCOMPATIBLE CHEMICALS AND FLUIDS, OR USING WORN OR DAMAGED PARTS, MAY RESULT IN EQUIPMENT DAMAGE AND/OR SERIOUS PERSONAL INJURY, FIRE, EXPLOSION, OR PROPERTY DAMAGE.

- Do not alter or modify any part of this equipment.
- Make sure the pump and all other equipment used or Located in the pumping area are grounded.
- Do not use the pump if any static sparking or electrical shock occurs. Stop pumping immediately and do not use the pump until the problem is corrected.
- Make sure all fluid connections are securely tightened before using this equipment.
- Always read and follow the fluid manufacturers recommendations regarding fluid compatibility, and the use of protective clothing and equipment.
- Check all equipment regularly and repair or replace worn or damaged parts immediately.

COMPATIBLE YES or NO			
LIQUID		LIQUID	
ACETONE	NO	GLYCERINE	YES
AMLY ALCOHOL	NO	GLYCOLS	YES
BENZENE	YES	HYDRAULIC OIL (MINERAL)	YES
BENZYL ALCOHOL	YES	ISOBUTYL ALCOHOL	YES
BUNKER OIL	YES	ISO-OCTANE	YES
BUTYL ALCOHOL	YES	ISOPROPYL ALCOHOL	YES
CASTER OIL	YES	KEROSENE	YES
CREOSOTE	YES	LINSEED OIL	YES
CRESOL	YES	LUBRICATING OIL (MINERAL)	YES
CYCLOHEXANE	YES	METHYL ALCOHOL	NO
CYCLOHEXANOL	YES	METHYLBUTYL KETONE	NO
CYCLOHEXANONE	NO	METHYL ETHYL KETONE (MEK)	NO
DENATURED ALCOHOL	YES	METHYL ISOBUTYL KETONE	NO
DETERGENT	YES	MINERAL OIL	YES
DEVELOPING FLUID	YES	MONOCHLOROBENZENE	YES
DIESEL OIL	YES	OCTYL ALCOHOL	YES
DIETHYL BENZENE	YES	PAINT THINNER (DUCO)	YES
DIETHYLENE GLYCOL	YES	PETROL	YES
DI-ISOBUTYLENE	YES	PHENOL	YES
DI-ISOPROPYL BENZENE	YES	PROPYL ALCOHOL	YES
DI-ISOPROPYL KETONE	NO	SILICONE OILS	YES
DIOCTYL PHTHALATE	YES	SOAP SOLUTIONS	YES
DRY CLEANING FLUID	YES	TERTIARY BUTYL ALCOHOL	YES
ETHYL ALCOHOL	YES	TOLUENE	YES
ETHYL BENZENE	YES	TRANSFORMER OIL	YES
ETHYLENE GLYCOL	YES	TRANSMISSION FLUID	YES
FLUOROBENZENE	YES	TRICHLOROETHANE	YES
FLUOROCARBON OILS	NO	TRICHLOROETHYLENE	YES
FLUORINATED CYCLIC ETHERS	NO	TURBINE OIL	YES
FUEL OIL	YES	TURPENTINE	YES

Note: Use of this equipment to pump other than approved fluids can and will void the manufacturer warranty.

---

# Lincoln Industrial Standard Warranty

## LIMITED WARRANTY

Lincoln warrants the equipment manufactured and supplied by Lincoln to be free from defects in material and workmanship for a period of one (1) year following the date of purchase, excluding therefrom any special, extended, or limited warranty published by Lincoln. If equipment is determined to be defective during this warranty period, it will be repaired or replaced, within Lincoln's sole discretion, without charge.

This warranty is conditioned upon the determination of a Lincoln authorized representative that the equipment is defective. To obtain repair or replacement, you must ship the equipment, transportation charges prepaid, with proof of purchase to a Lincoln Authorized Warranty and Service Center within the warranty period.

This warranty is extended to the original retail purchaser only. This warranty does not apply to equipment damaged from accident, overload, abuse, misuse, negligence, faulty installation or abrasive or corrosive material, equipment that has been altered, or equipment repaired by anyone not authorized by Lincoln. This warranty applies only to equipment installed, operated and maintained in strict accordance with the written specifications and recommendations provided by Lincoln or its authorized field personnel.

**THIS WARRANTY IS EXCLUSIVE AND IS IN LIEU OF ANY OTHER WARRANTIES, EXPRESS OR IMPLIED, INCLUDING, BUT NOT LIMITED TO, THE WARRANTY OF MERCHANTABILITY OR WARRANTY OF FITNESS FOR A PARTICULAR PURPOSE. WARRANTY ON ITEMS SOLD BY LINCOLN, BUT NOT MANUFACTURED BY LINCOLN ARE SUBJECT TO THE WARRANTY CONSIDERATION, IF ANY, OF THEIR MANUFACTURER (SUCH AS HOSES, HYDRAULIC AND ELECTRIC MOTORS, ELECTRICAL CONTROLLERS, ETC.) ASSISTANCE IN MAKING SUCH WARRANTY CLAIMS CAN BE OFFERED AS REQUIRED.**

In no event shall Lincoln be liable for incidental or consequential damages. Lincoln's liability for any claim for loss or damages arising out of the sale, resale or use of any Lincoln equipment shall in no event exceed the purchase price. Some jurisdictions do not allow the exclusion or limitation of incidental or consequential damages, therefore the above limitation or exclusion may not apply to you.

This warranty gives you specific legal rights. You may also have other rights that vary by jurisdiction.

Customers not located in the Western Hemisphere or East Asia: Please contact Lincoln GmbH & Co. KG, Walldorf, Germany, for your warranty rights.

## Lincoln Industrial Special Limited Warranties

### SPECIAL LIMITED 2 YEAR WARRANTY-

#### SL-V Series, Single Injectors-85772, 85782, and Replacement Injectors-85771, 85781

Lincoln warrants the SL-V Injector series to be free from defects in material and workmanship for two (2) years following the date of purchase. If an injector model (single or replacement) is determined to be defective by Lincoln, in its sole discretion, during this warranty period, it will be repaired or replaced, at Lincoln's discretion, without charge.

### SPECIAL LIMITED 5 YEAR WARRANTY-

#### Series 20, 25, 40 Bare Pumps, PMV Bare Pumps, Heavy Duty and 94000 Series Bare Reels

Lincoln warrants series 20, 25, 40 bare pumps, PMV bare pumps, Heavy Duty (82206), Mini Bench (81133, 81323), and all 94000 LFR series (single arm and dual arm) bare reels to be free from defects in material and workmanship for five (5) years following the date of purchase. If equipment is determined by Lincoln, in its sole discretion, to be defective during the first year of the warranty period, it will be repaired or replaced at Lincoln's discretion, without charge. In years two (2) and three (3), the warranty on this equipment is limited to repair with Lincoln paying parts and labor only. In years four (4) and five (5), the warranty on this equipment is limited to repair with Lincoln paying for parts only.

### SPECIAL LIMITED 5 YEAR WARRANTY-

#### LFM Series Oil Meters (Lincoln Fluid Meter), LFV (Lincoln Fluid Valves), AOD (Air-Operated Diaphragm Pumps)-

Lincoln warrants the LFM meter series (908/912 series), the Lincoln Fluid valve (708/712 series), our Universal Inline Digital Meters (812/813 series), and our AOD Pump offering to be free from defects in material and workmanship for five (5) years following the date of purchase. If either is determined to be defective by Lincoln, in its sole discretion, during the warranty period, they will be repaired or replaced, at Lincoln's discretion, without charge.

### Special DEF (Diesel Exhaust Fluid) Limited Warranty-

DEF products are warranted to be free from defects in material and workmanship for a period of one (1) year following the date of purchase.

The following exceptions to the standard warranty period are in effect-

-85700-30/85700-50 DEF hose reels (bare reel only), 277251/277252 AC DEF pumps, and 277256 and 277257 DEF meters are warranted for two (2) years from date of purchase,

-85623 DEF AOD (air operated diaphragm) pumps are covered under the standard five (5) year AOD pump warranty.

If either is determined to be defective by Lincoln, in its sole discretion, during the warranty period, they will be repaired or replaced, at Lincoln's discretion, without charge.

## Lincoln Industrial Contact Information

To find Lincoln Industrial's Nearest Service Center call one of the following numbers, you may also use our website

Customer Service 314-679-4200

Website [lincolnindustrial.com](http://lincolnindustrial.com)

---

Americas: One Lincoln Way St. Louis, MO 63120-1578 USA Phone +1.314.679.4200 Fax +1.800.424.5359	Europe/Africa: Heinrich-Hertz-Str 2-8 D-69183 Walldorf Germany Phone +49.6227.33.0 Fax +49.6227.33.259	Asia/Pacific: No. 3 Tampines Central 1 #04-05, Abacus Plaza. Singapore 529540 Tel +65.6588.0188 Fax +65.6588.3438	© Copyright 2004 Printed in USA  Web site: <a href="http://www.lincolnindustrial.com">www.lincolnindustrial.com</a>
---	---	--	---

---