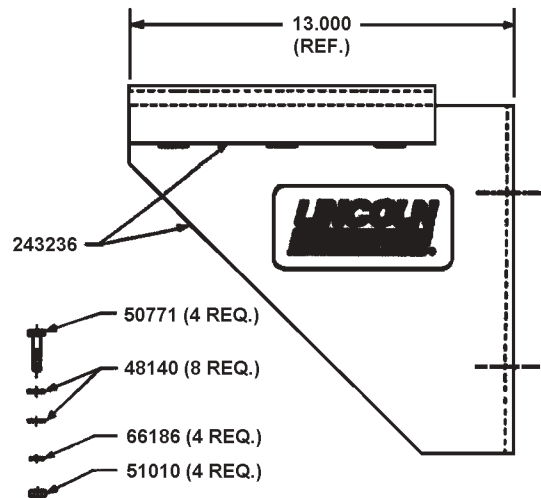


PART	QTY	DESCRIPTION
48140	8	Washer
50771	4	Hex head screw
51010	4	Hex nut
66186	4	Lockwasher
243236	1	Universal Wall Mount Bracket

NOTE
WALL MOUNTING HARDWARE TO
BE SUPPLIED BY CUSTOMER.



DESCRIPTION

The Model 84817 Universal Diaphragm Pump Wall Mount Bracket is designed for wall mount installations of all Lincoln 1/2" and 1" diaphragm pumps of either plastic, aluminum or stainless steel construction. Pump models are as follows:

- A. 1/2" aluminum Construction Models 84840 and 84841.
- B. 1/2" Polypropylene Construction Models 84842, 84843 and 84846.
- C. 1" Aluminum Construction Models 84811 and 84812.
- D. 1" Aluminum Construction Models 84852, 84853 and 84855.
- E. 1-1/2" Aluminum Construction..... Model 84813.

**RETAIN THIS INFORMATION
FOR FUTURE REFERENCE**