

WARNING

Systems which will be dispensing fluids under pressure may need to be protected by using a thermal relief kit, which will safely limit the pressures caused by thermal expansion. Please contact your local Lincoln distributor and refer to Service Page Section K5, Page 31 for more details. Failure to include thermal relief protection may cause damage not covered under Lincoln's warranty policy.

CAUTION

Before meter can be placed in service "After Repair", meter must be tested and approved in accordance with U.S. Government's Weight and Measurements Standards

CAUTION

New metering systems must be purged prior to installation of metering control valve to free system of contaminates.

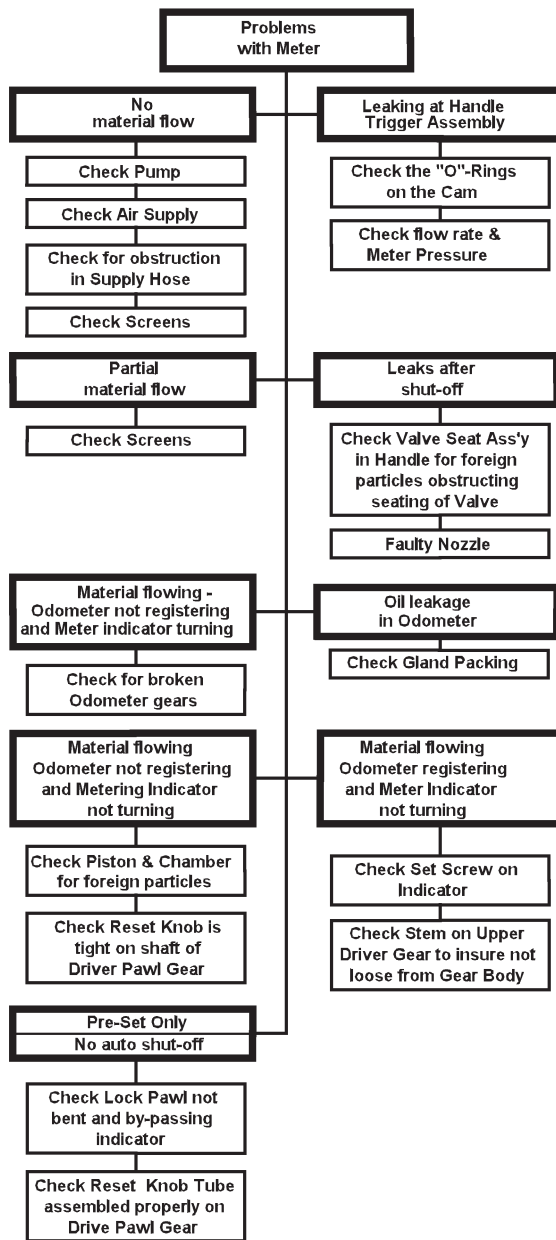
IMPORTANT NOTE:

The automatic nozzle requires 60 PSI to open and function properly. A pump exceeding 60 psi is required for adequate flow and proper operation. A pump ratio of at least 3:1 is recommended.

OPERATION

The meter can handle petroleum products such as automatic transmission fluid, S.A.E 5 to 50 weight motor oil, S.A.E. 80 to 240 weight gear oil and antifreeze (ethylene glycol).

The meter can be locked in the on position by engaging the trigger lock, to release the lock, the trigger must be depressed thus released the lock. Before each use, reset the meter by rotating the indicator knob counterclockwise to zero.

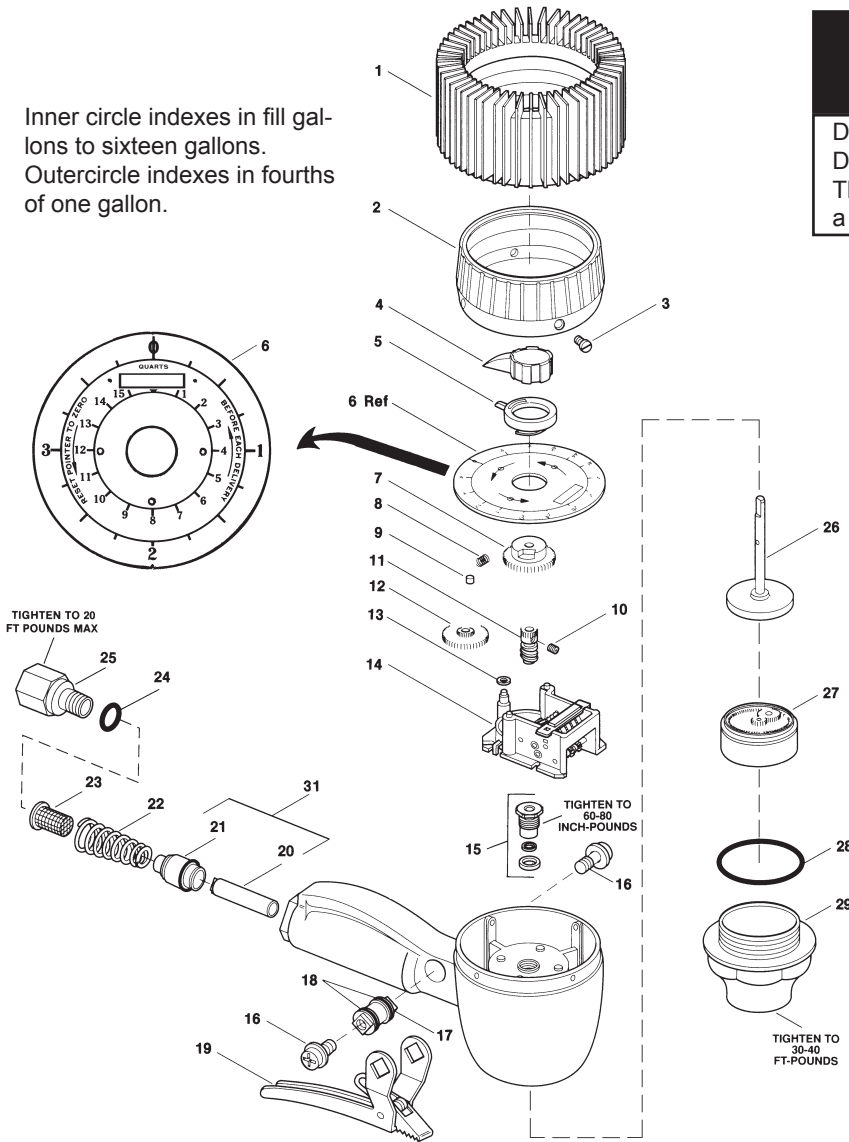


SPECIFICATIONS:

Dial Capacity	1 to 10 liters
Totalizer	Liters
Flow Max.	4 Gal. per min. (15 liters per min.)
Flow Min.	0.4 Gals per min. (1.5 liters per min.)
Operating Pressure Max.	1000 PSI (70 Bar)
Operating Temp. Max.	110°F (45°C)
Accuracy	+/- 0.65%
Weight	3.3 Lbs. (1.5 Kg)
Meter Inlet & Outlet Thds	1/2 NPTF

© Indicates change

Inner circle indexes in fill gallons to sixteen gallons.
 Outercircle indexes in fourths of one gallon.



CAUTION

DO NOT TURN POINTER IN A CLOCKWISE DIRECTION AS THIS WILL DAMAGE METER. The pointer can only be returned to the zero stop in a counterclockwise direction after delivery.

Service Parts

ITEM	DESCRIPTION	Part No.	ITEM	DESCRIPTION	Part No.
1	*Shroud Protector	242911	16	Screw	68410-2 (2)
2	Shroud	68410-12	17	Cam	68410-5
3	Shroud screw	66871-5 (4)	18	O-ring	68410-4 (2)
4	Knob assembly	242912	19	Valve trigger assembly	68410-1
5	Inner circle pointer	66871-53	20	**Valve sleeve assembly	
6	Dial assembly	69235	21	**Valve seat assembly	
7	Inner circle pointer cam	68499-30	22	Spring	69304-3
8	Clutch spring	66871-3	23	Screen	68410-27
9	Clutch roller	66871-4	24	O-ring	243176
10	Set screw	50541	25	Adapter	243175
11	Upper driving pawl worm gear	68602-7	26	Upper driving pawl gear assembly	66871-138
12	Inner circle pointer gear	66871-134	27	Spur gear train assembly	66871-136
13	Spacer	69304-23	28	Chamber & piston assembly	66871-150
14	Register assembly	68602-8	29	Housing cap gasket	66871-12
15	Packing kit	237388	30	Housing cap	68410-14
			31	Valve Assembly (Buna-N)	271699

<p>Americas: One Lincoln Way St. Louis, MO 63120-1578 USA Phone +1.314.679.4200 Fax +1.800.424.5359</p>	<p>Europe /Africa/Middle East Lincoln GmbH Heinrich-Hertz-Str. 2-8 69190 Walldorf - Germany Phone/Fax +49.6227.33-0/-259 www.lincolnindustrial.de</p>	<p>Asia/Pacific: No. 3 Tampines Central 1 #04-05, Abacus Plaza. Singapore 529540 Tel +65.6588.0188 Fax +65.6588.3438</p>	<p>© Copyright Lincoln Industrial Corporation 2012 Printed in USA Web site: www.lincolnindustrial.com</p>
--------------------------------------------------------------------------------------------------------------------------------------------------------------------------	------------------------------------------------------------------------------------------------------------------------------------------------------------------------------------------------------------------------	-------------------------------------------------------------------------------------------------------------------------------------------------------------------------------------------	--------------------------------------------------------------------------------------------------------------------------------------------------