

**WARNING**

Systems which will be dispensing fluids under pressure may need to be protected by using a thermal relief kit which will safely limit the pressures caused by thermal expansion. Please contact your local Lincoln distributor and refer to Section K5, Page 31 for more details. Failure to include thermal relief protection may cause damage not covered under Lincoln's warranty policy.

**CAUTION**

Before meter can be placed in service "After Repair", Meter must be tested and approved in accordance with U.S. Government's Weights and Measures Standards.

**CAUTION**

New metering systems must be purged prior to installation of metering control valve to free system of contaminates.

### OPERATION

The meter can handle petroleum products such as automatic transmission fluid, S.A.E. 5 to 50 weight motor oil, S.A.E. 80 to 240 weight gear oil and antifreeze fluid (ethylene glycol). The meter can be locked in the on position by engaging the trigger lock, to release the lock the trigger must be depressed thus releasing the lock. Before each use reset the meter by rotating the indicator knob counterclockwise to zero.

### SPECIFICATIONS:

Dial Capacity	8 Pints - Pints
Totalizer	Pints
Flow Max.	4 Gallons per min. (15 liters per min.)
Flow Min.	0.4 Gallons per min. (1.5 Liters per min.)
Operating Pressure Max.	1000 PSI (70 Bar)
Operating Temp. Max.	110° F (45° C)
Accuracy	+/- 0.65%
Weight	3.3 Lbs. (1.5 Kg.)
Meter Inlet Threads	1/2 NPT

© Indicates change

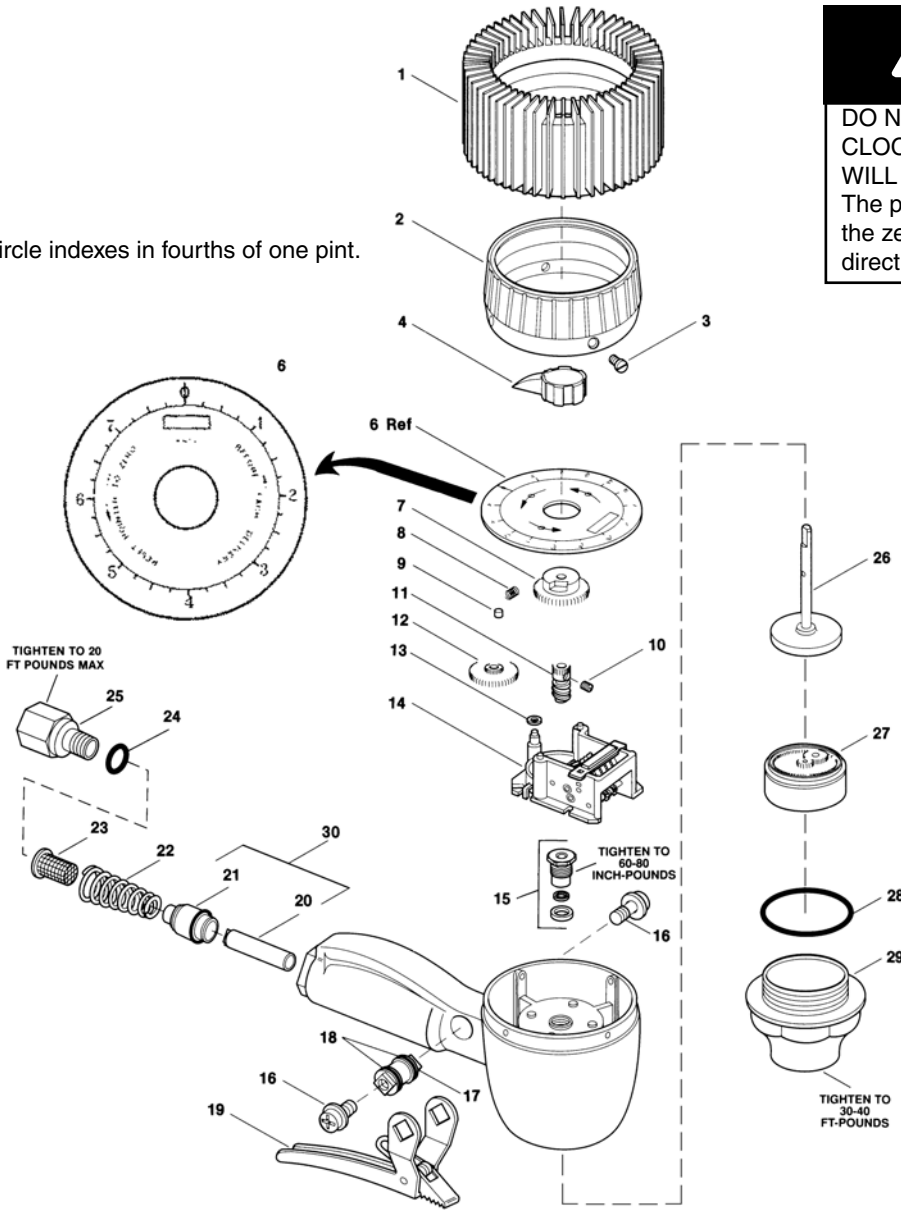


### CAUTION

DO NOT TURN POINTER IN A CLOCKWISE DIRECTION AS THIS WILL DAMAGE METER.

The pointer can only be returned to the zero stop in a counterclockwise direction after delivery.

Outer circle indexes in fourths of one pint.



### Service Parts 878

ITEM	DESCRIPTION	Part No.	ITEM	DESCRIPTION	Part No.
1	*Shroud Protector	242911	16	Screw	68410-2 (2)
2	Shroud	68410-12	17	Cam	68410-5
3	Shroud screw	66871 -5 (4)	18	O-ring	68410-4 (2)
4	Knob assembly	273350	19	Valve trigger assembly	68410-1
5	Inner circle pointer		20	**Valve sleeve assembly	
6	Dial assembly	273351	21	**Valve seat assembly	
7	Inner circle pointer cam	273352	22	Spring	69304-3
8	Clutch spring		23	Screen	68410-27
9	Clutch roller		24	O-ring	243176
10	Set screw	50541	25	Adapter	273357
11	Upper driving pawl worm gear	273353	26	Upper driving pawl gear assembly	66871-111
12	Inner circle pointer gear	273354	27	Chamber & piston assembly	273358
13	Spacer	273355	28	Housing cap gasket	66871-12
14	Register assembly	273356	29	Housing cap	68410-14
15	Packing kit	237388	30	Valve Assembly (Buna-N)	271699

Quantity

\* May be purchased separately

\*\* See valve assembly item 30

LIMITED WARRANTY-

Lincoln warrants the equipment it supplies to be free from defects in material and workmanship for one (1) year following the date of purchase. If equipment proves to be defective during this warranty period it will be repaired or replaced, at Lincoln's discretion, without charge provided that factory authorized examination indicates the equipment to be defective. To obtain repair or replacement, you must ship the equipment, transportation charges prepaid, with proof of date of purchase to a Lincoln authorized warranty and service center, within one (1) year following the date of purchase.

LIMITED 5 YEAR WARRANTY (Series 20, 25, 40 Bare Pumps, Heavy Duty and Golden Standard Bare Reels)-

Lincoln warrants series 20, 25, 40 bare pumps, and heavy duty and golden standard bare reels it supplies to be free from defects in material and workmanship for one (1) year following the date of purchase. If equipment proves to be defective during the warranty period it will be repaired, or replaced, at Lincoln's discretion, without charge provided that factory authorized examination indicates the equipment to be defective. To obtain repair or replacement, you must ship the equipment, transportation charges prepaid, with proof of purchase to a Lincoln Authorized Warranty and Service Center within one (1) year following the date of purchase. Additionally, in years two (2) and three (3) the warranty on this equipment is limited to repair with Lincoln paying parts and labor only. In years four (4) and five (5), the warranty on this equipment is limited to repair with Lincoln paying for parts only.

This warranty is extended to the original retail purchaser only. It does not apply to equipment damaged from accident, overload, abuse, misuse, negligence, faulty installation or abrasive or corrosive material, or to equipment repaired or altered by anyone not authorized by Lincoln to repair or alter the equipment. This warranty applies only to equipment installed and operated according to the recommendations of Lincoln or its authorized field personnel. No other express warranty applies.

Any implied warranties applicable to equipment supplied by Lincoln, including the warranties of merchantability and fitness for a particular purpose, will last for only one (1) year from the date of purchase. Some jurisdictions do not allow limitations on how long an implied warranty lasts, so the above limitation may not apply to you.

In no event shall Lincoln be liable for incidental or consequential damages. Lincoln's liability on any claim for loss or damages arising out of the sale, resale or use of equipment it supplies shall in no event exceed the purchase price. Some jurisdictions do not allow the exclusion or limitation of incidental or consequential damages, so the above limitation or exclusion may not apply to you.

This warranty gives you specific legal rights. You may also have other rights that vary by jurisdiction.

---

<p>Americas: One Lincoln Way St. Louis, MO 63120-1578 USA Phone +1.314.679.4200 Fax +1.800.424.5359</p>	<p>Europe/Africa: Heinrich-Hertz-Str 2-8 D-69183 Walldorf Germany Phone +49.6227.33.0 Fax +49.6227.33.259</p>	<p>Asia/Pacific 51 Changi Business Park Central 2 #09-06 The Signature Singapore 486066 Phone +65 6588 0188 Fax +65 6588 3438</p>	<p>Printed in USA  Website <a href="http://www.lincolnindustrial.com">www.lincolnindustrial.com</a></p>
---	---	---	---

---